



PROTECT

combined with active carbon



715511

FH118



CA

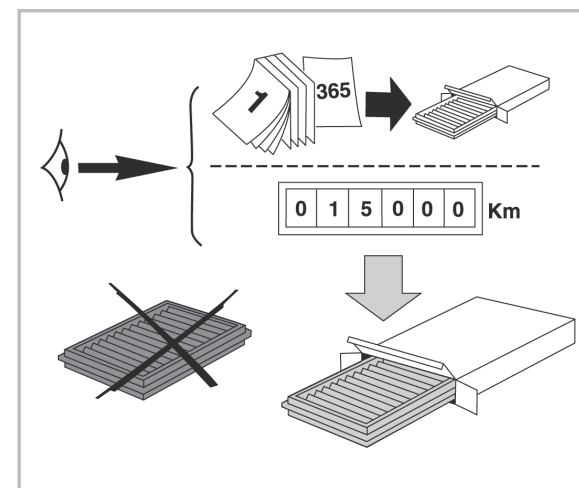
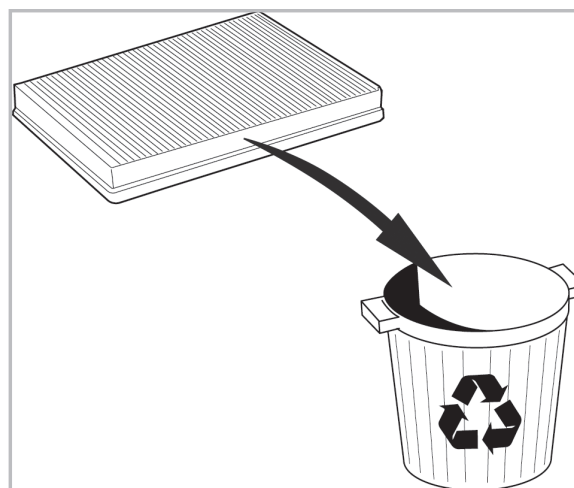
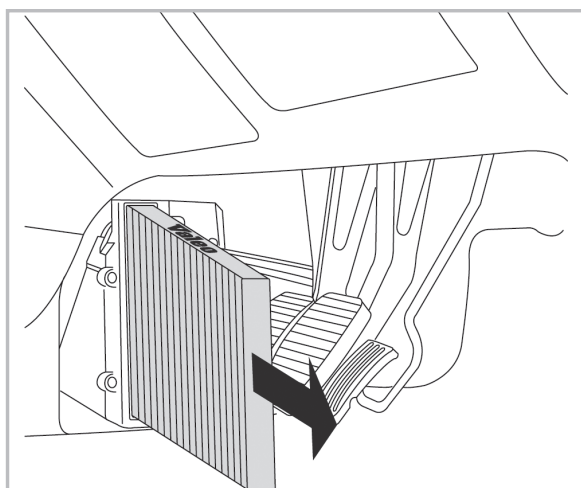
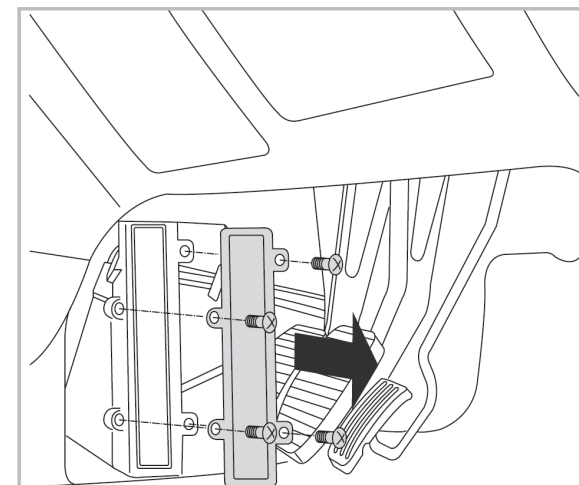
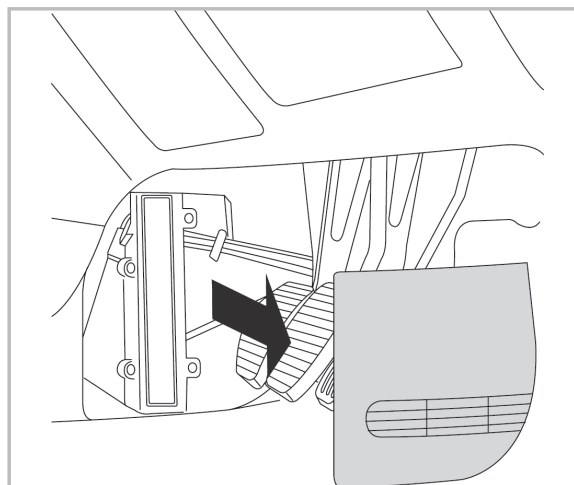
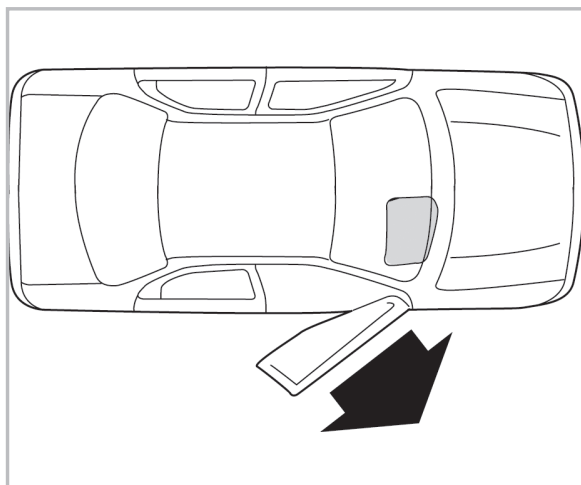
WANT TO KNOW MORE?



www.valeo-techassist.com

FOR
FORD

FOCUS A/C+/- (09/04 > 02/11) / TURNIER (01/11 > 04/11)



Valeo Service - Société par Actions simplifiée - Capital de 12 900 000€ - 70, rue Playel, 93285 Saint-Denis Cedex - France - B 306 486 408 RCS Bobigny